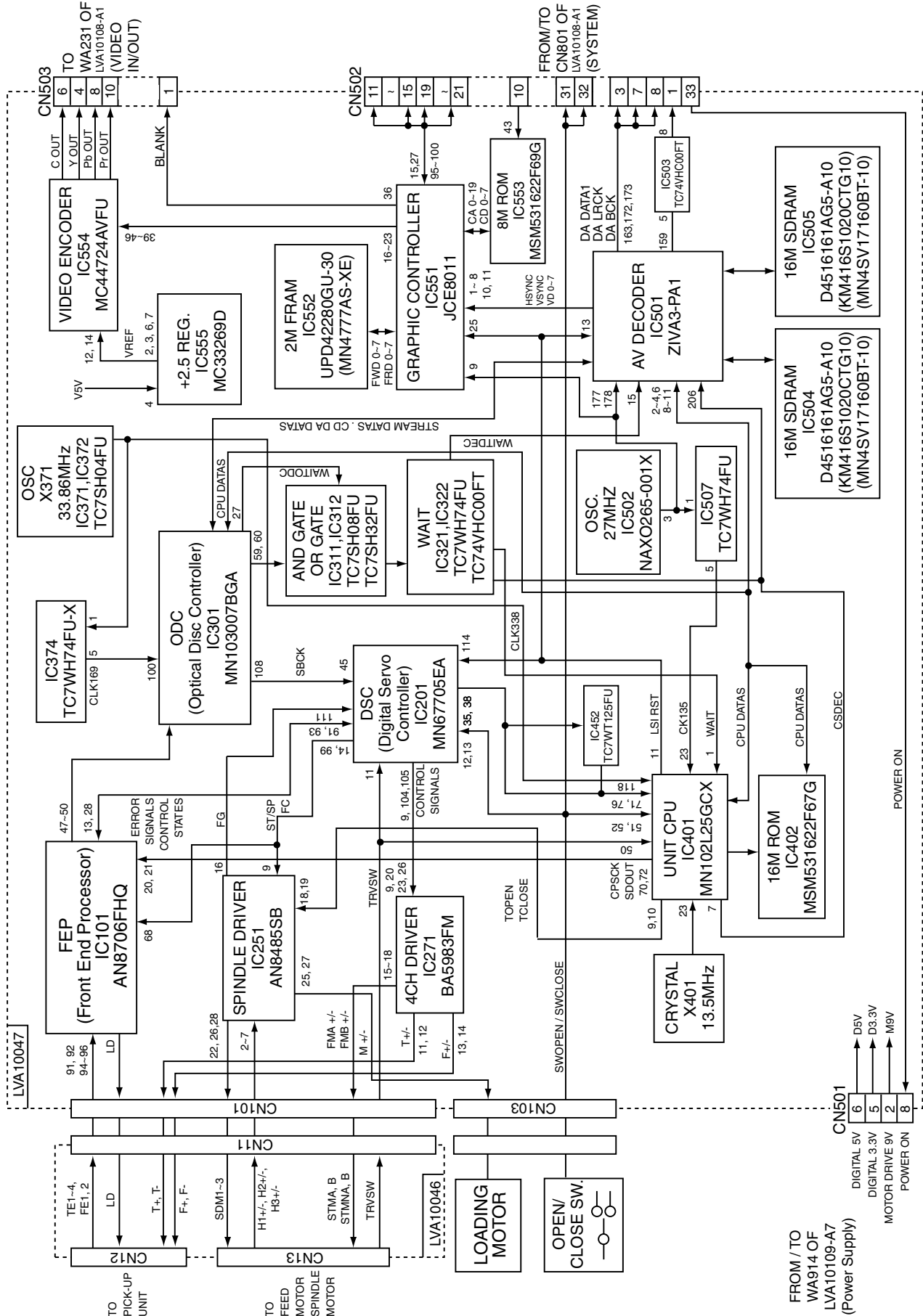
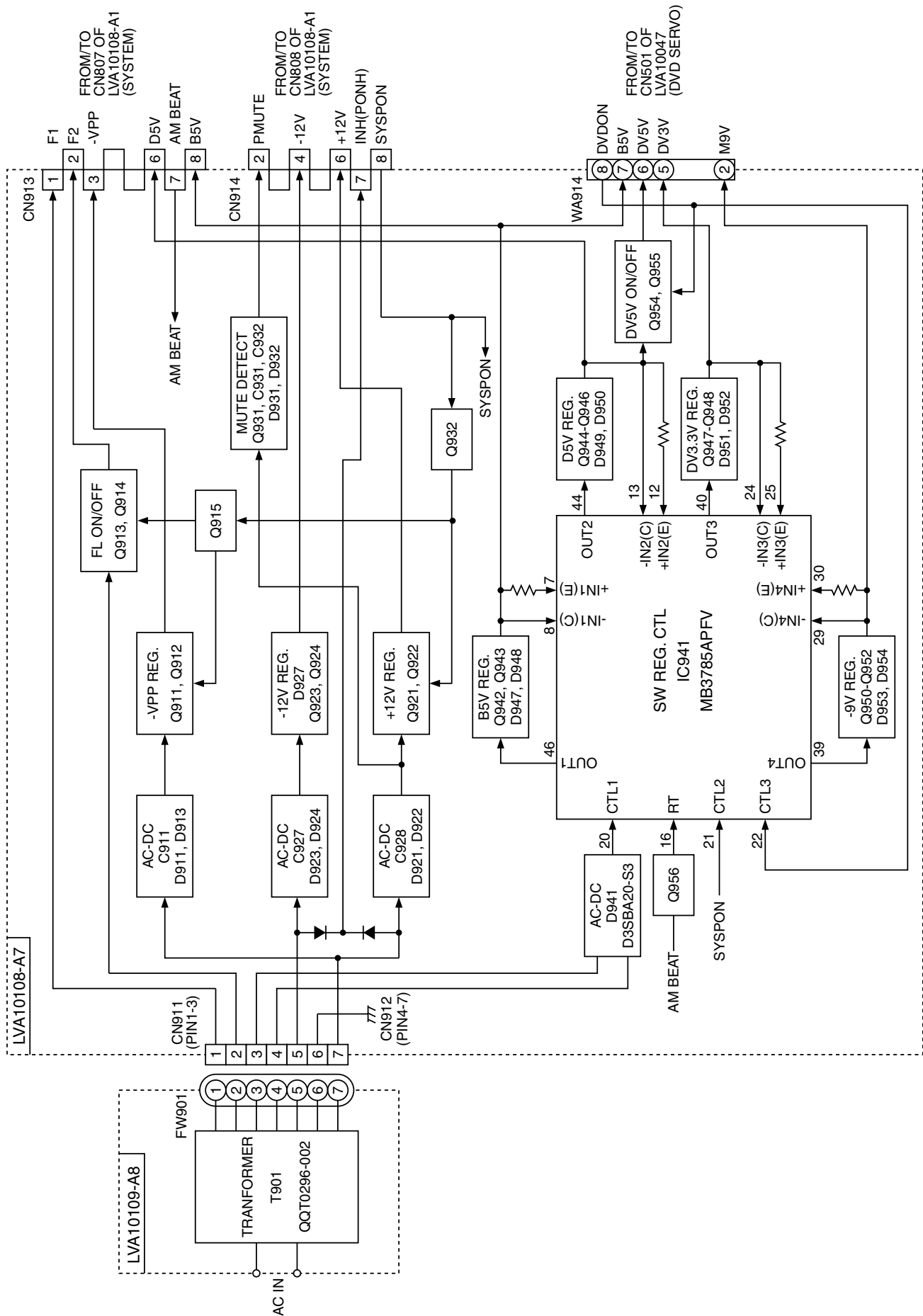


Block diagrams

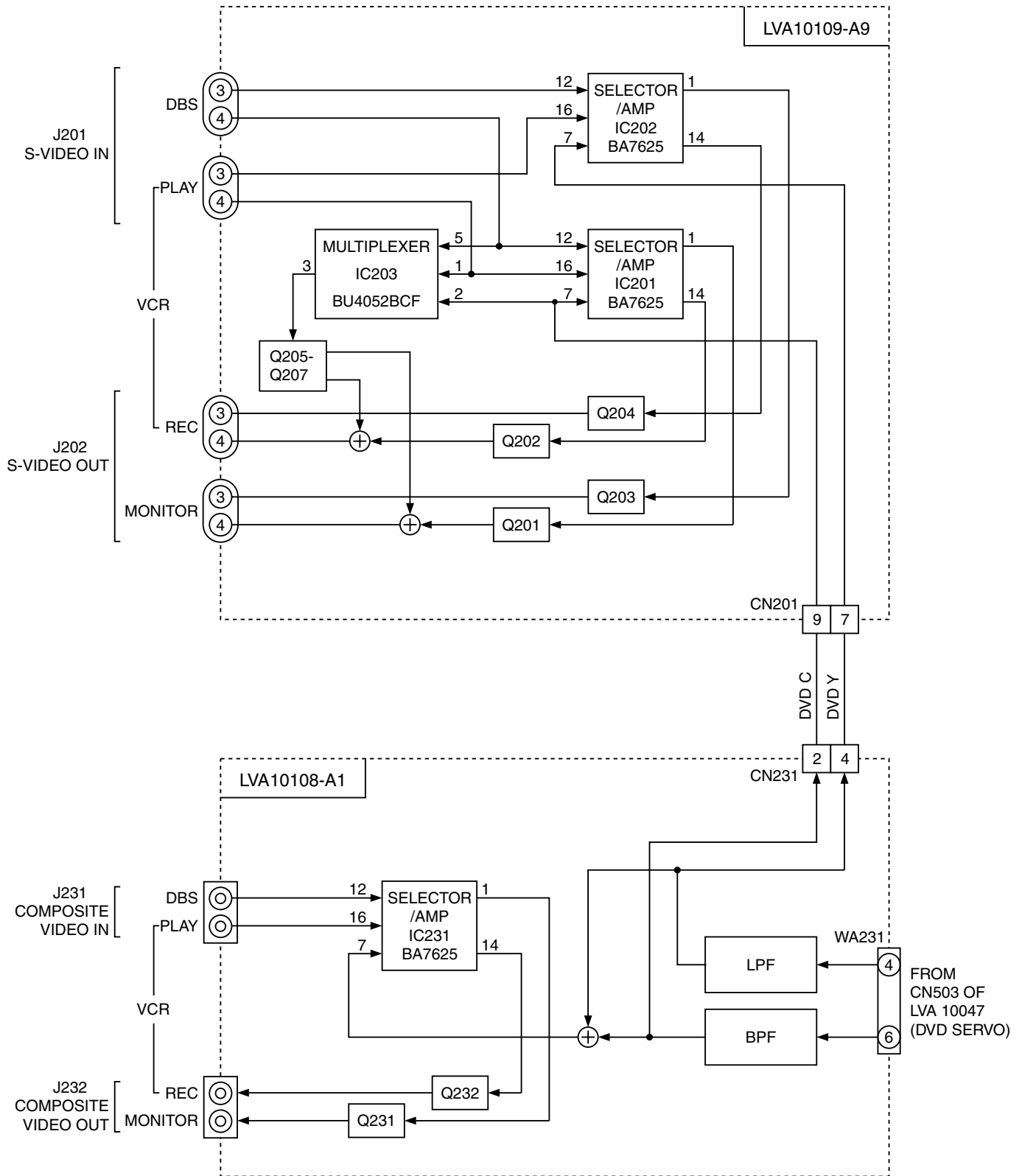
■ Block diagrams (DVD servo control Section)



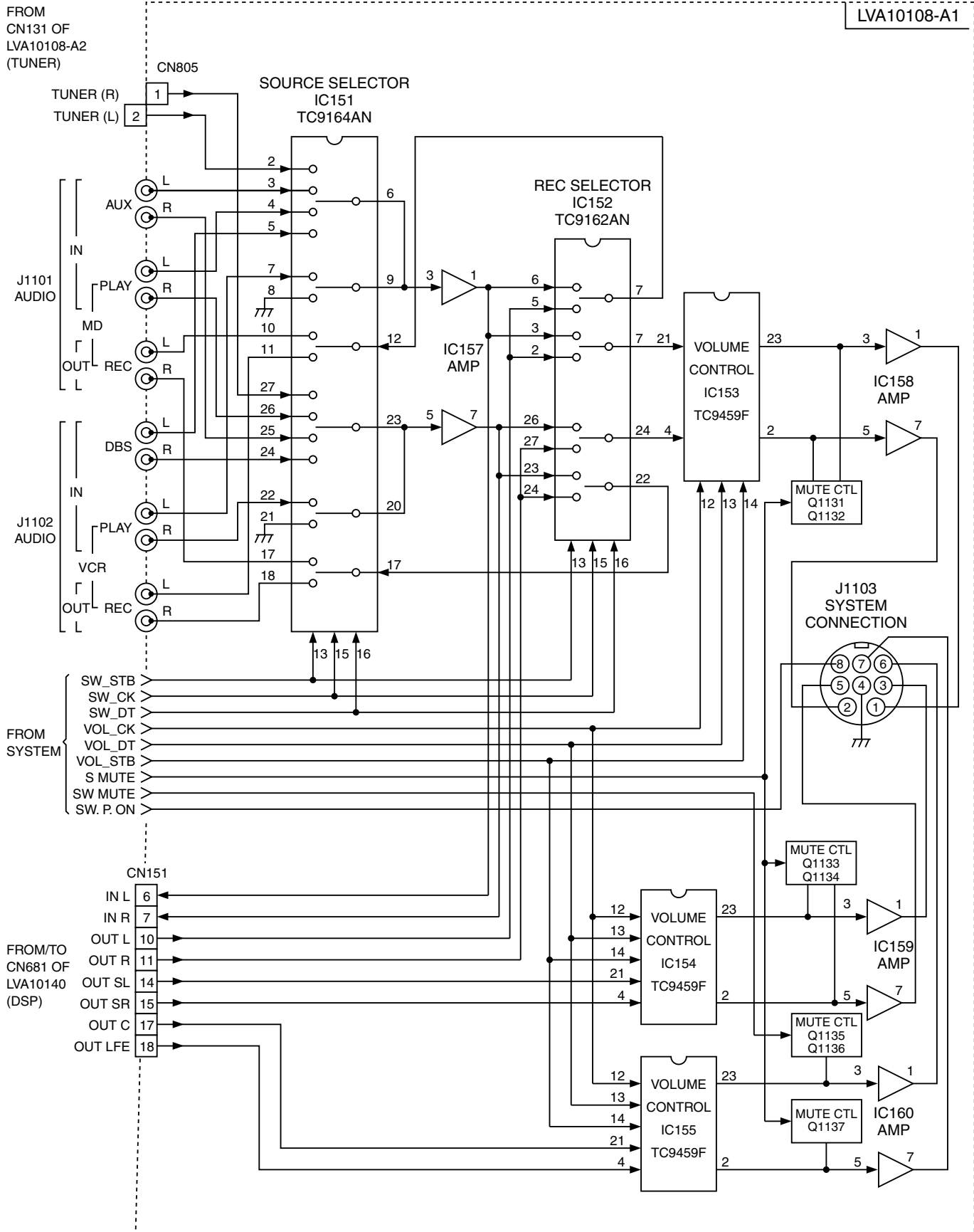
■ Block diagrams (Power supply Section)



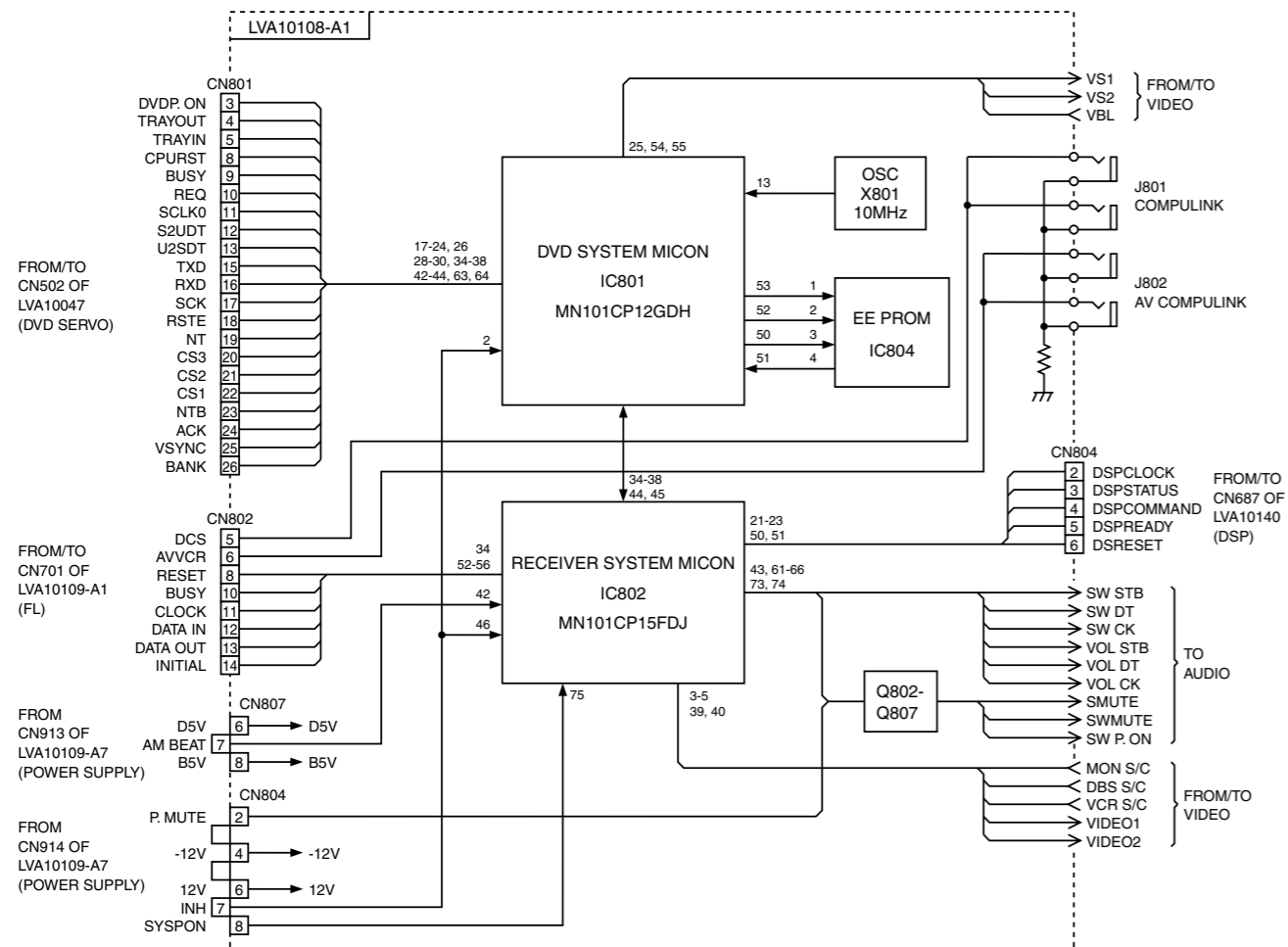
■ Block diagrams (Video out Section)



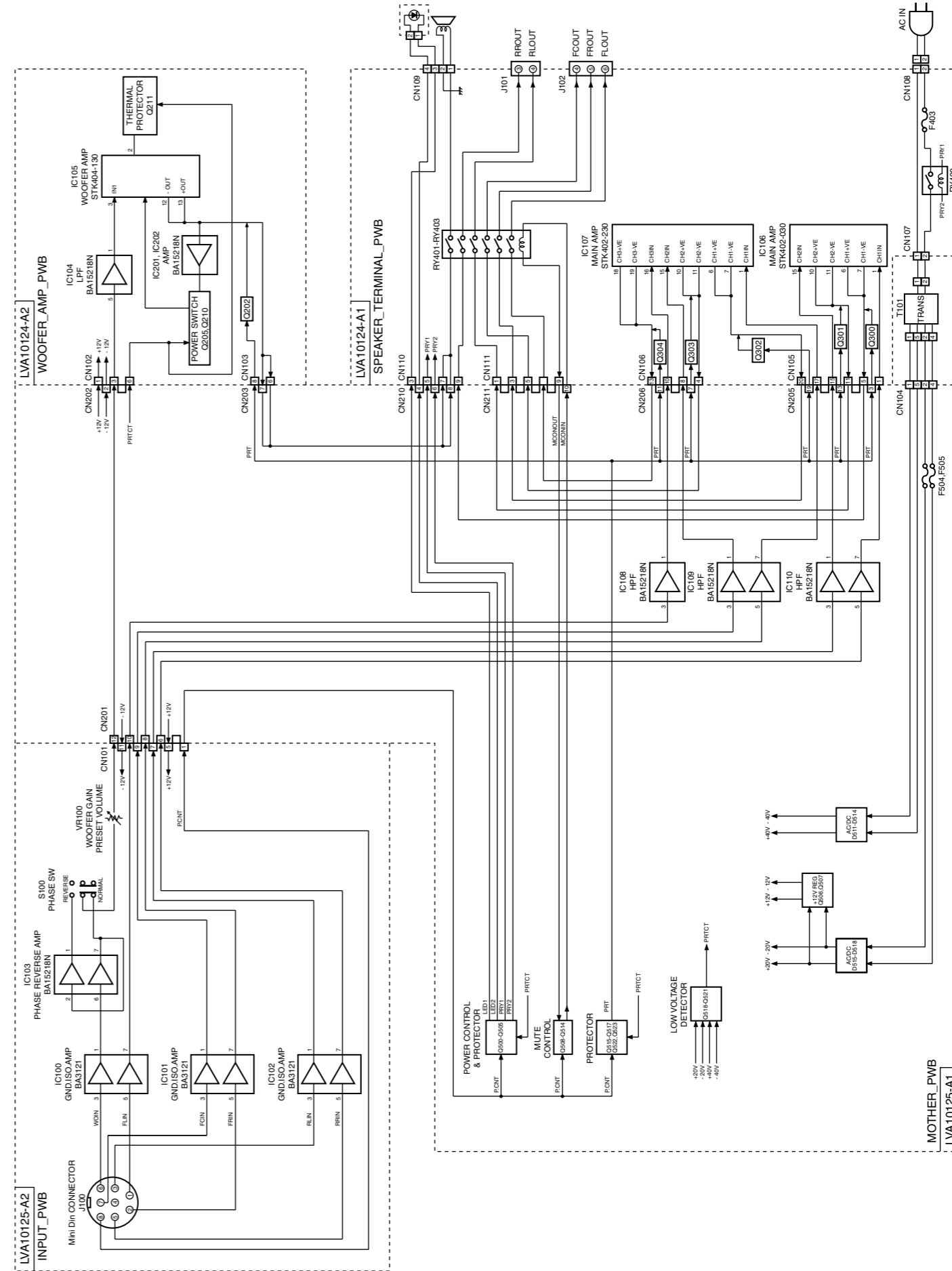
■ Block diagrams (Audio out section)



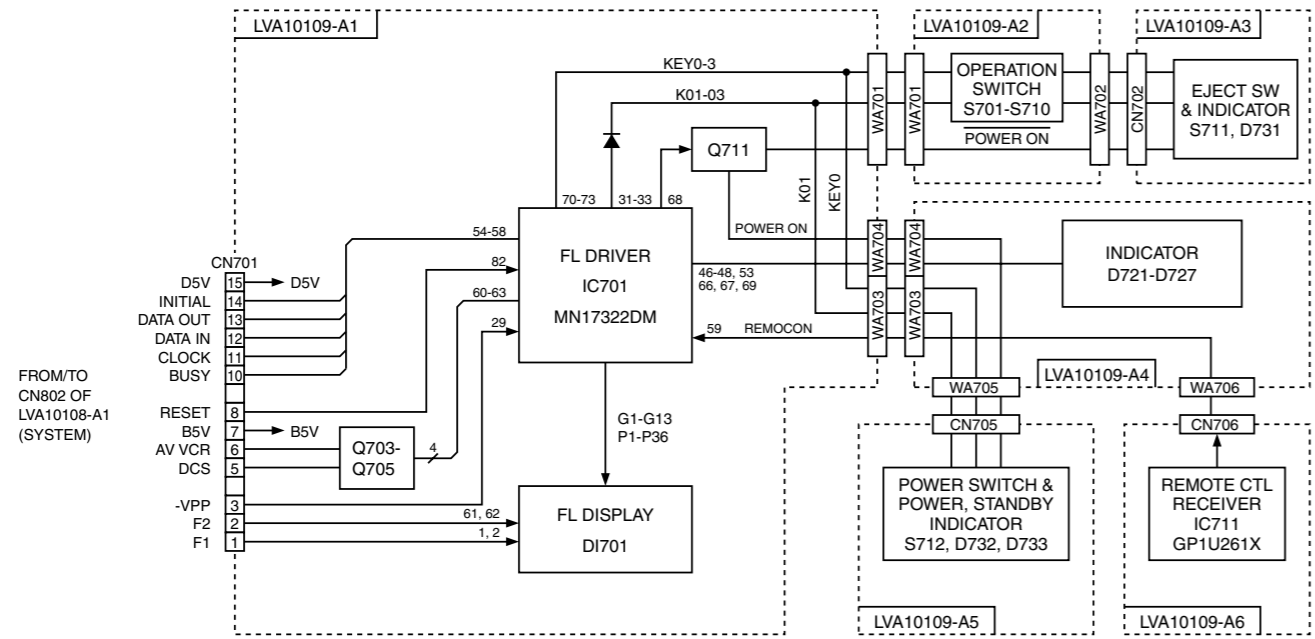
■ Block diagrams (System section)



■ Block diagrams (SP-PW10 Powered subwoofer section)



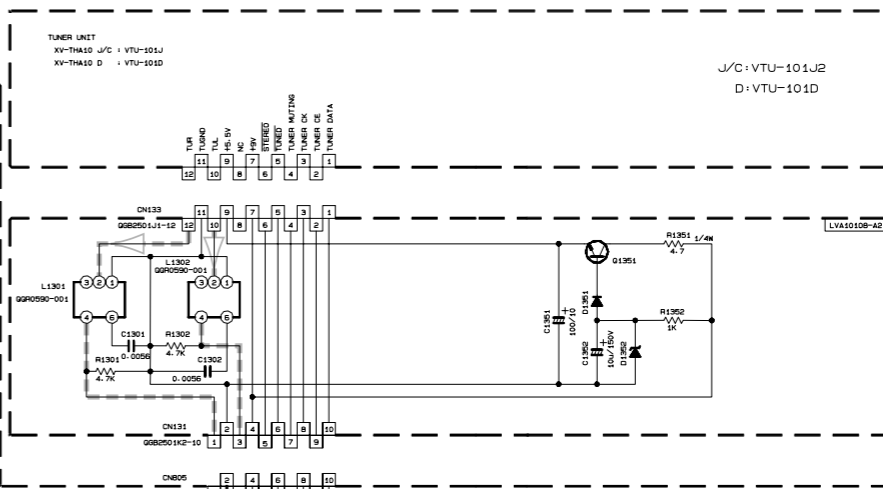
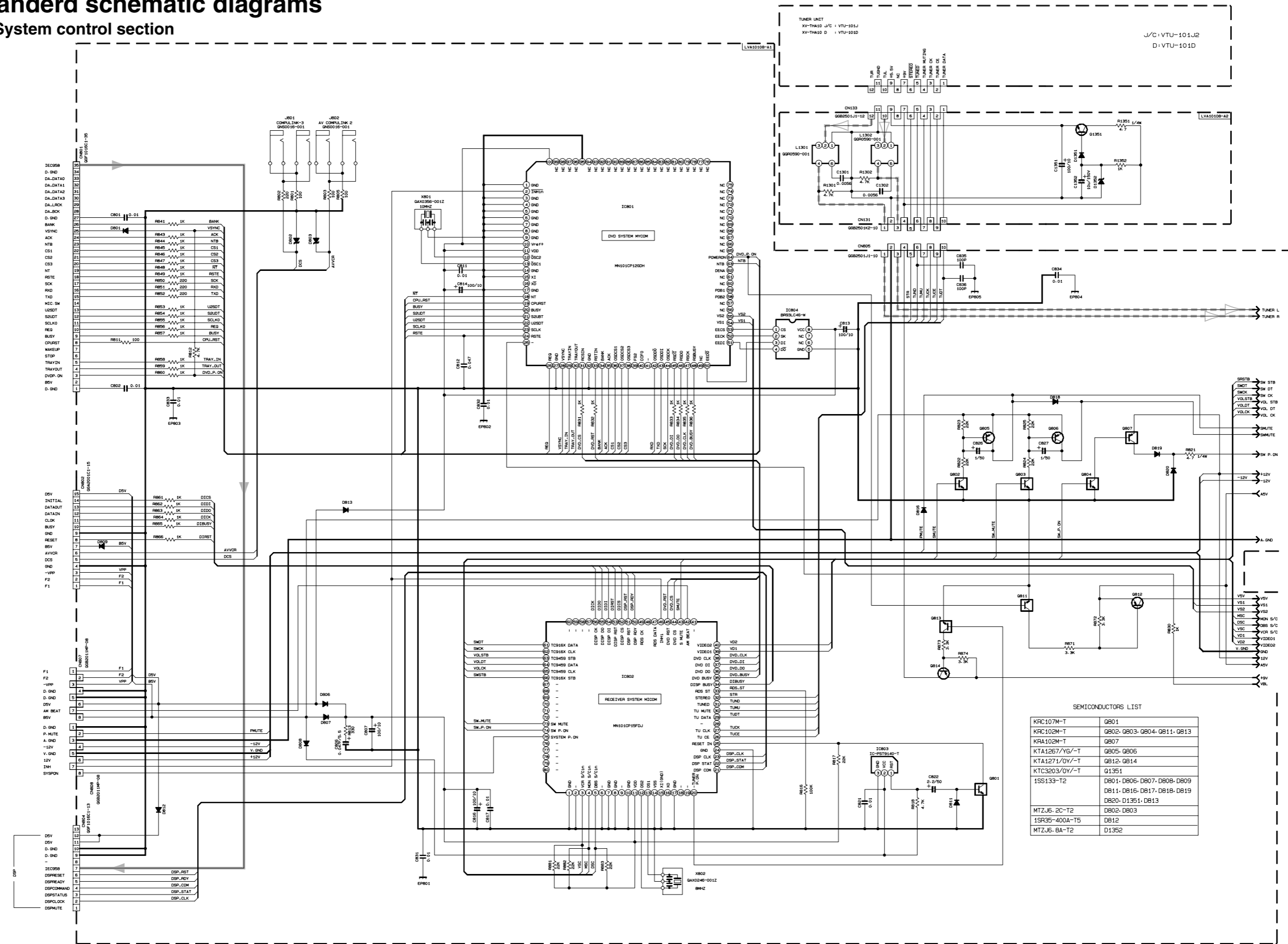
■ Block diagrams (FL section)



Standard schematic diagrams

System control section

7
6
5
4
3
2
1



SEMICONDUCTORS LIST

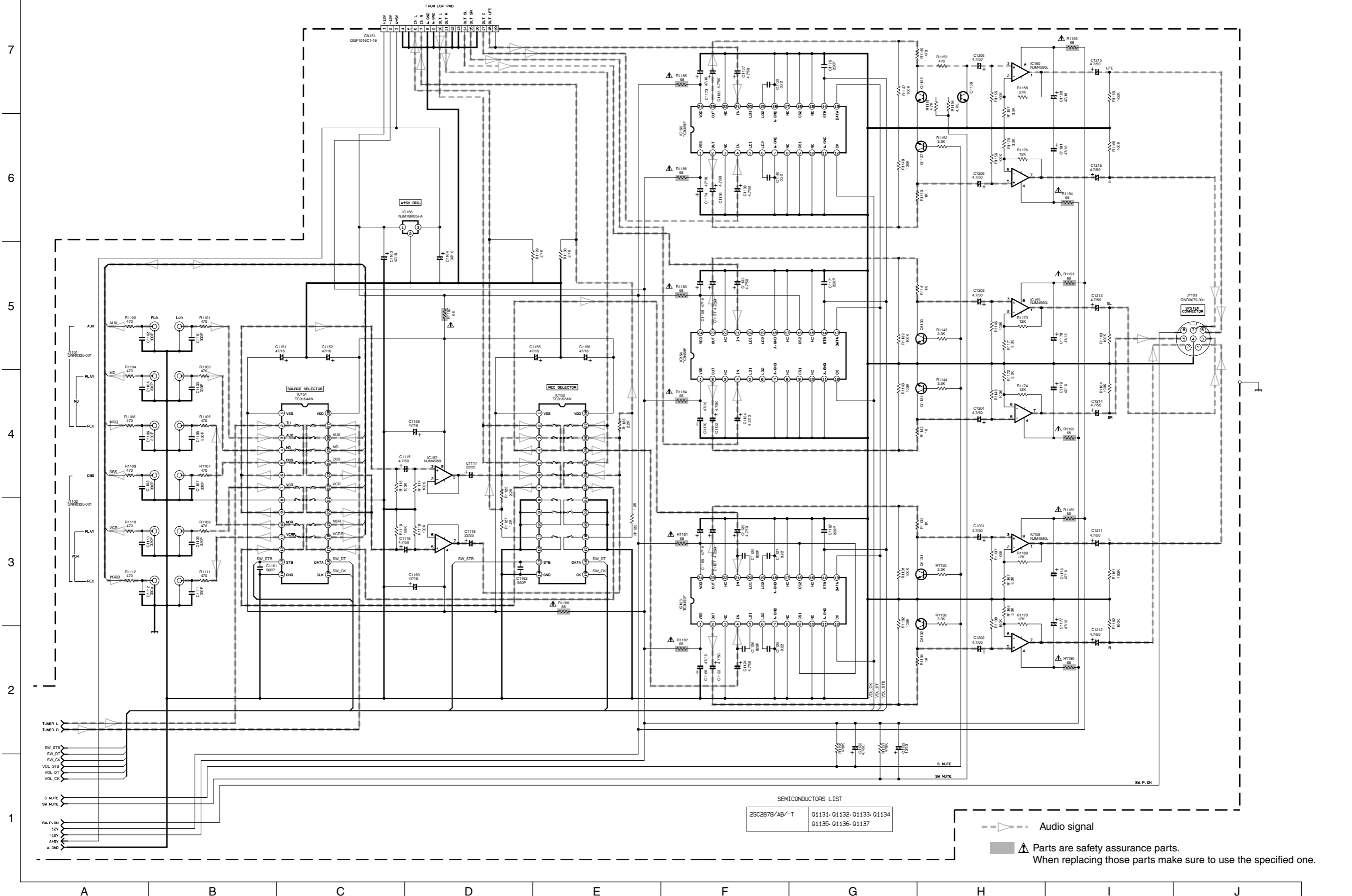
KRC107M-T	Q801
KRC102M-T	Q802, Q803, Q804, Q811, Q813
KRA102M-T	Q807
KTA1267/YG/-T	Q805, Q806
KTA1271/OV/-T	Q812, Q814
KTC3203/OV/-T	Q1351
1S133-T2	D801, D806, D807, D808, D809
	D811, D816, D817, D818, D819
	D820, D1351, D813
MTZJ6-2C-T2	D802, D803
1SR35-400A-T5	D812
MTZJ6-8A-T2	D1352

Parts are safety assurance parts. When replacing those parts make sure to use the specified one.

Digital (Audio) signal
 Audio signal

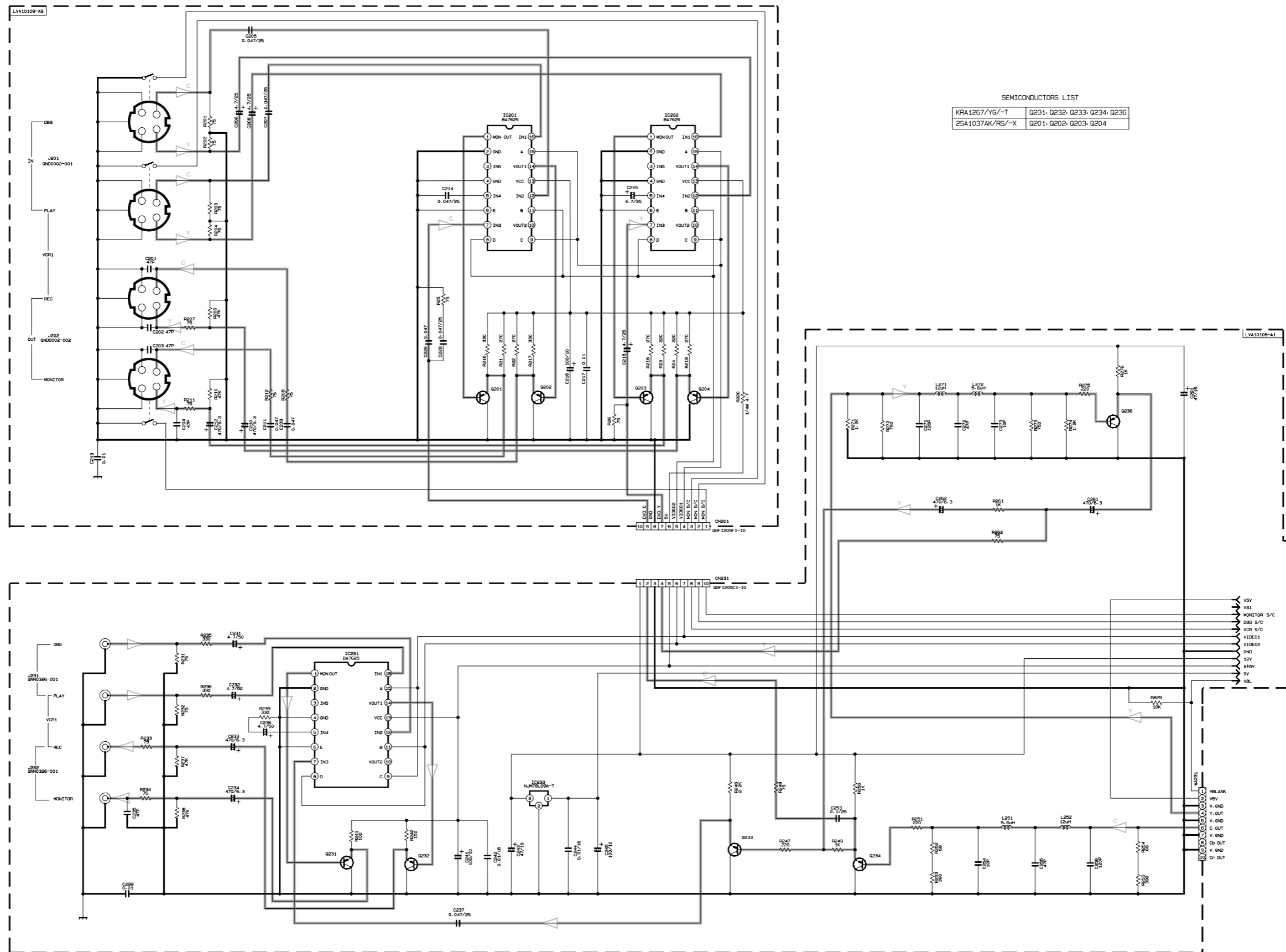
A B C D E F G H I J

■ Audio input/output section



Video input/output section

7
6
5
4
3
2
1



SEMICONDUCTORS LIST

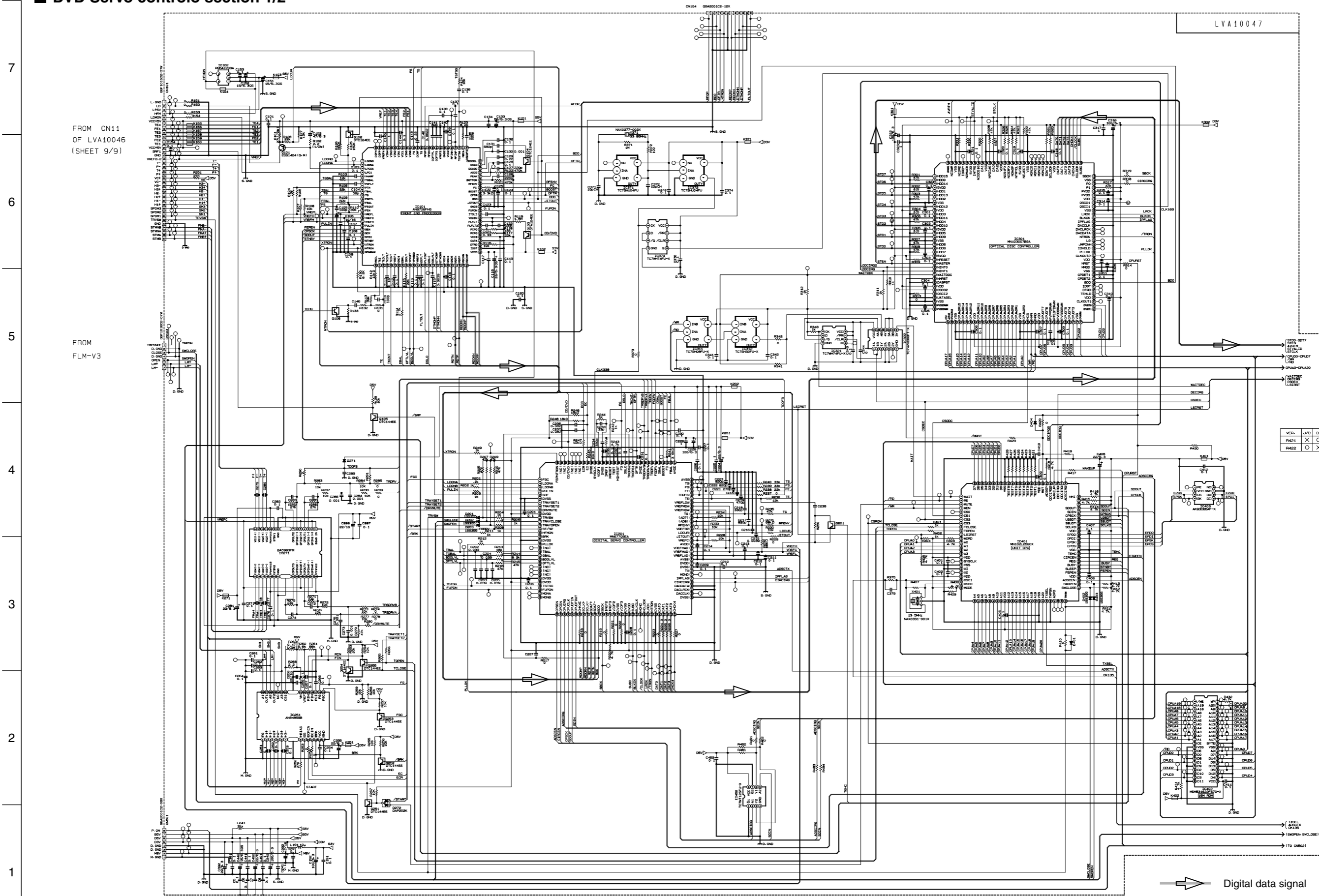
KRA1267/YG/-T	Q231, Q232, Q233, Q234, Q236
2SA1037AK/RS/-X	Q201, Q202, Q203, Q204

Parts are safety assurance parts.
 When replacing those parts make sure to use the specified one.

Video (Composite) signal
 Video (Luminance) signal
 Video (Color) signal

A B C D E F G H I J

DVD Servo controlo section 1/2



FROM CN11 OF LVA10046 (SHEET 9/9)

FROM FLM-V3

LVA10047

VER.	J/C	D
R421	X	○
R422	○	X

➔ Digital data signal

▲ Parts are safety assurance parts. When replacing those parts make sure to use the specified one.

A B C D E F G H I J

1

2

3

4

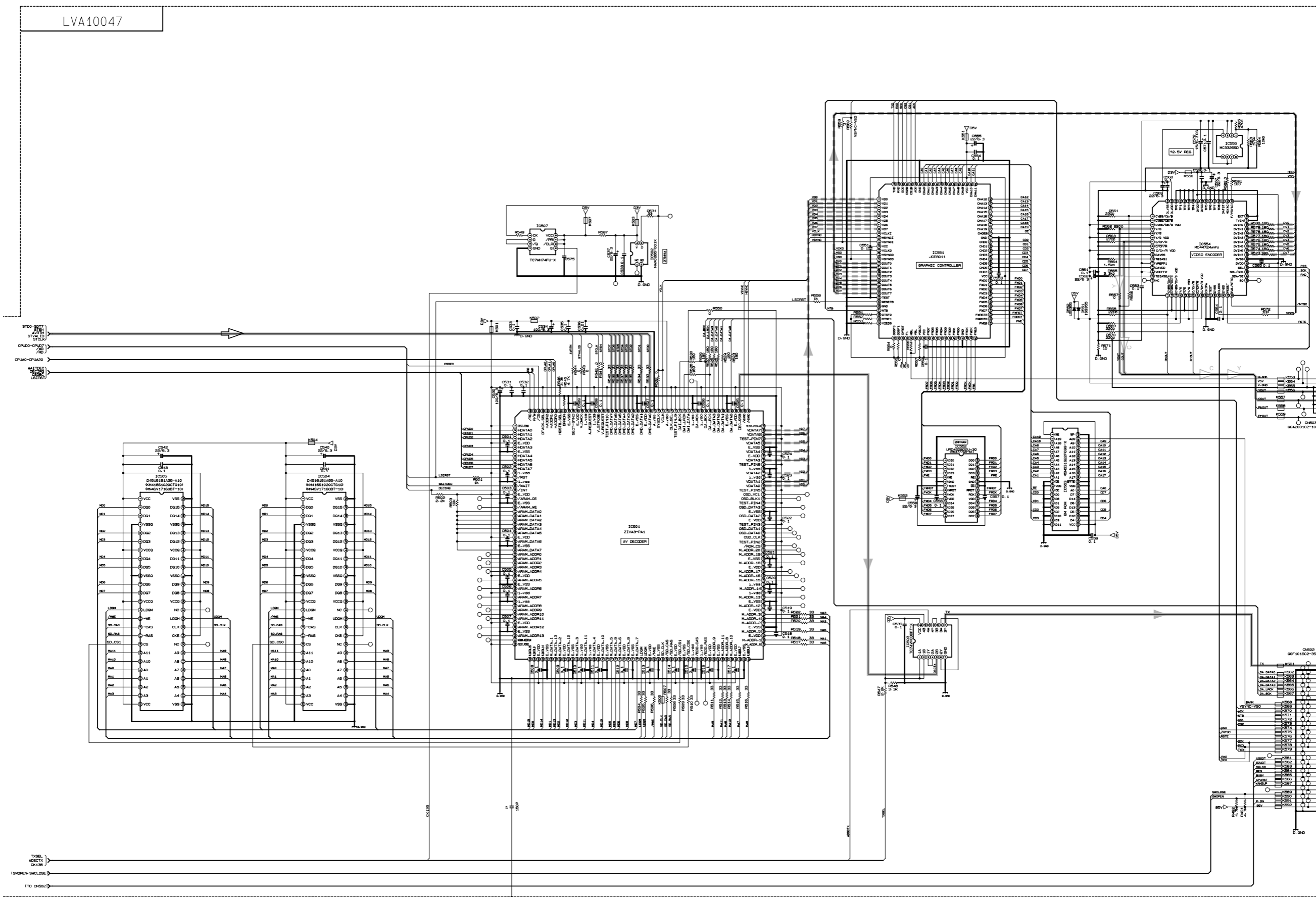
5

6

7

DVD Servo control section 2/2

LVA10047

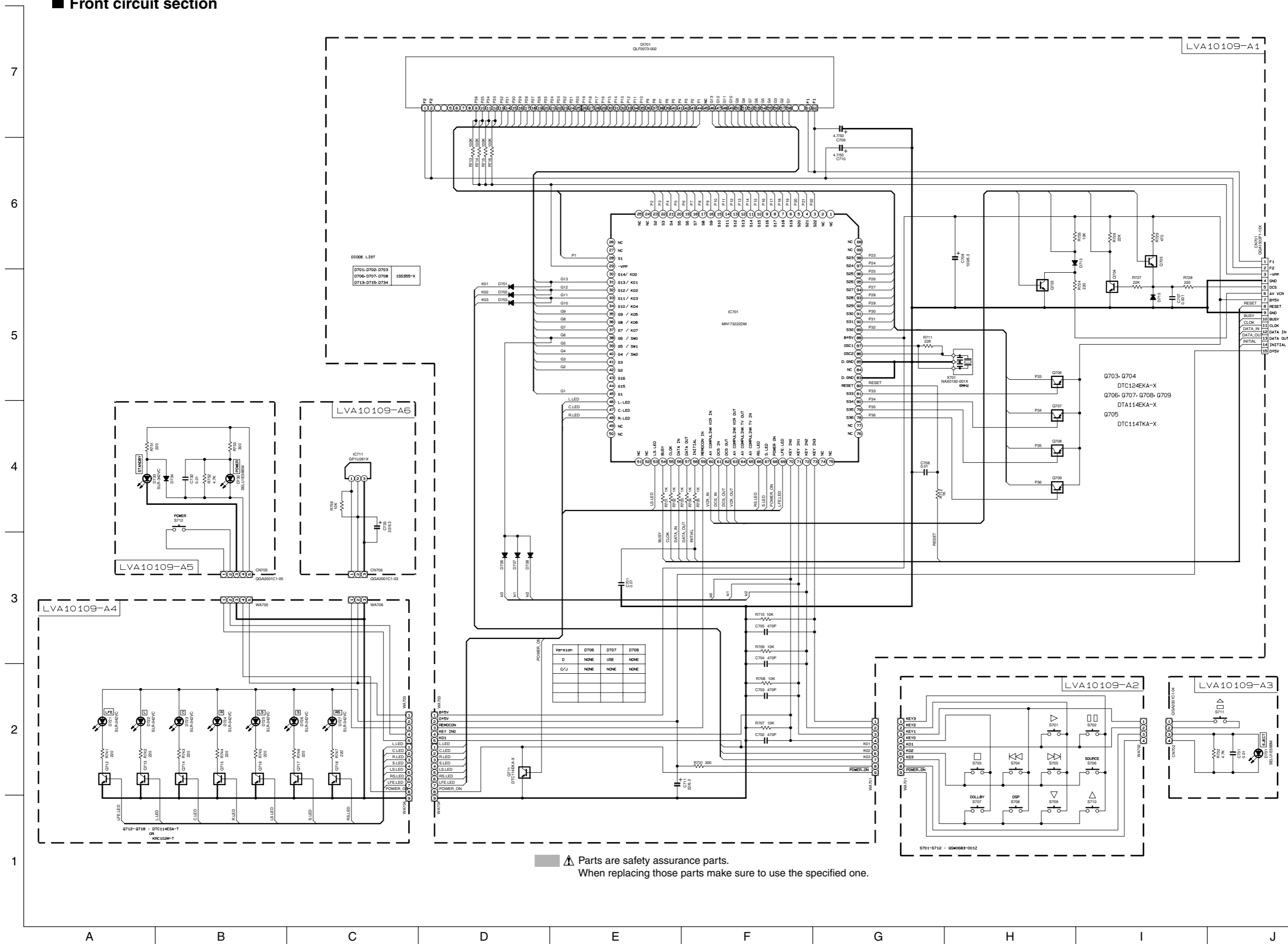


▲ Parts are safety assurance parts.
When replacing those parts make sure to use the specified one.

- ▶ Digital (Audio) signal
- ▶ Video (Luminance) signal
- ▶ Video (Color) signal
- ▶ Digital data signal
- ▶ Digital (Video) signal

A B C D E F G H I J

■ Front circuit section



DSP control section

LVA10140

7

6

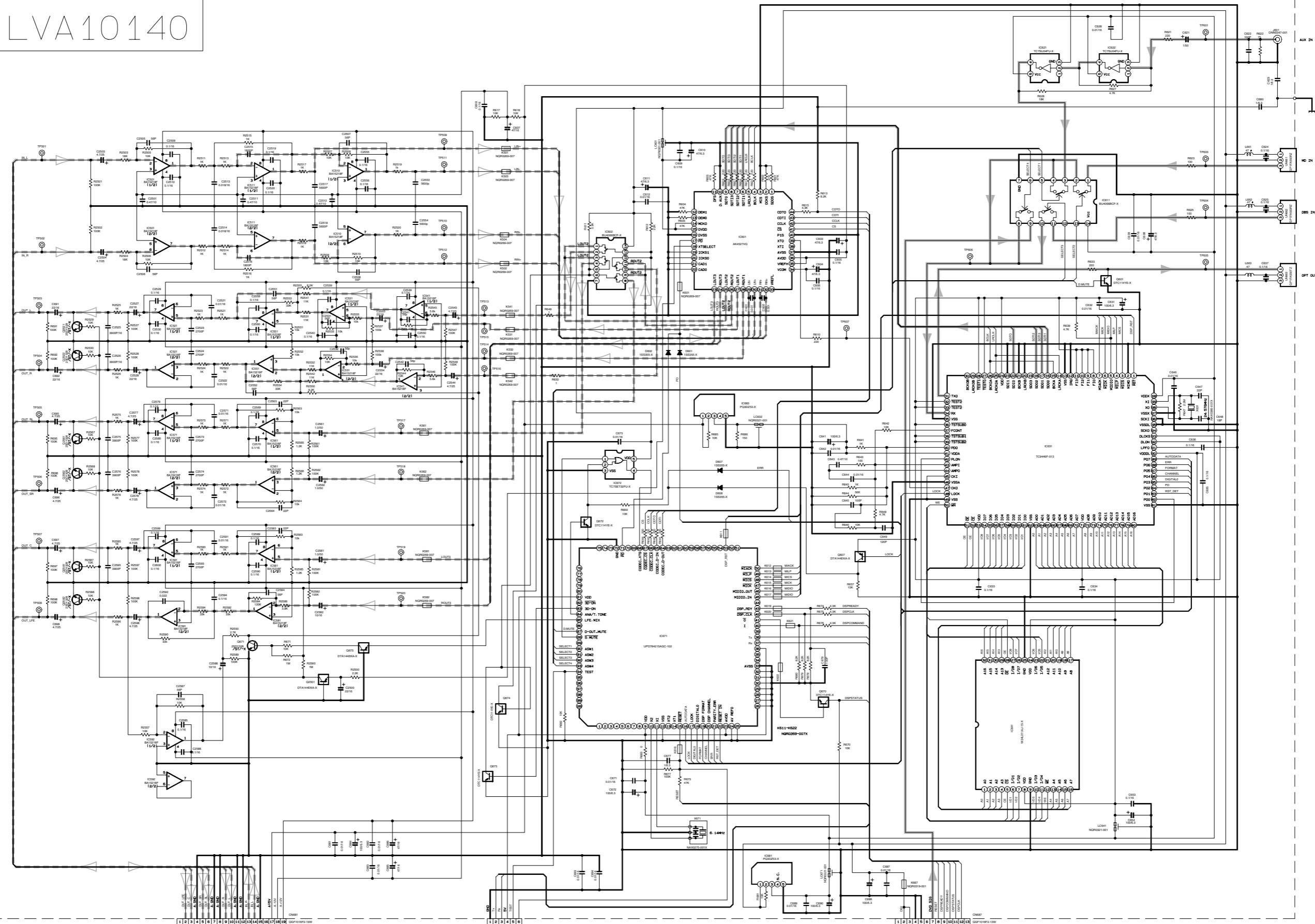
5

4

3

2

1



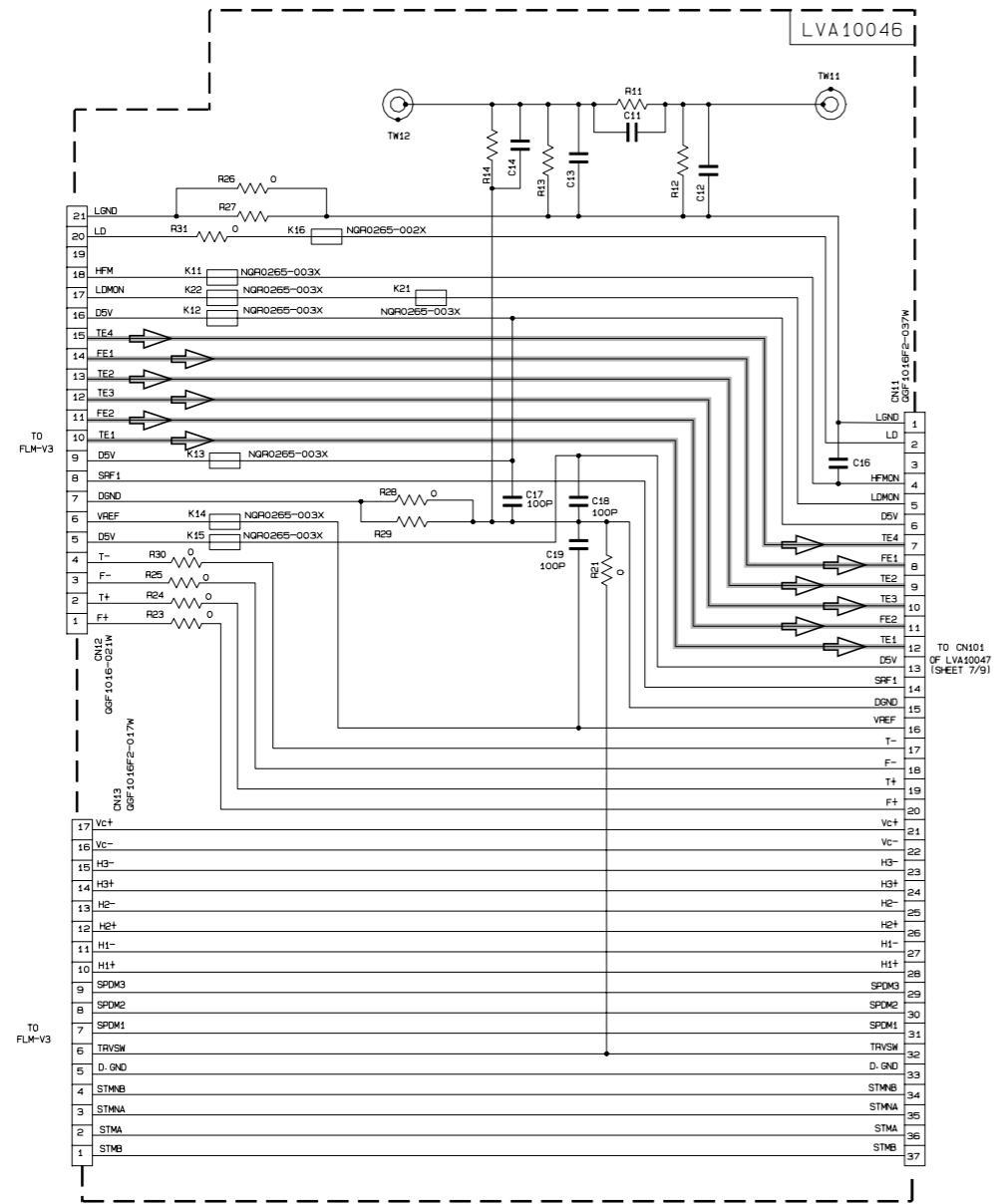
▲ Parts are safety assurance parts.
 When replacing those parts make sure to use the specified one.



— Digital (Audio) signal

- - - Audio signal

A B C D E F G H I J

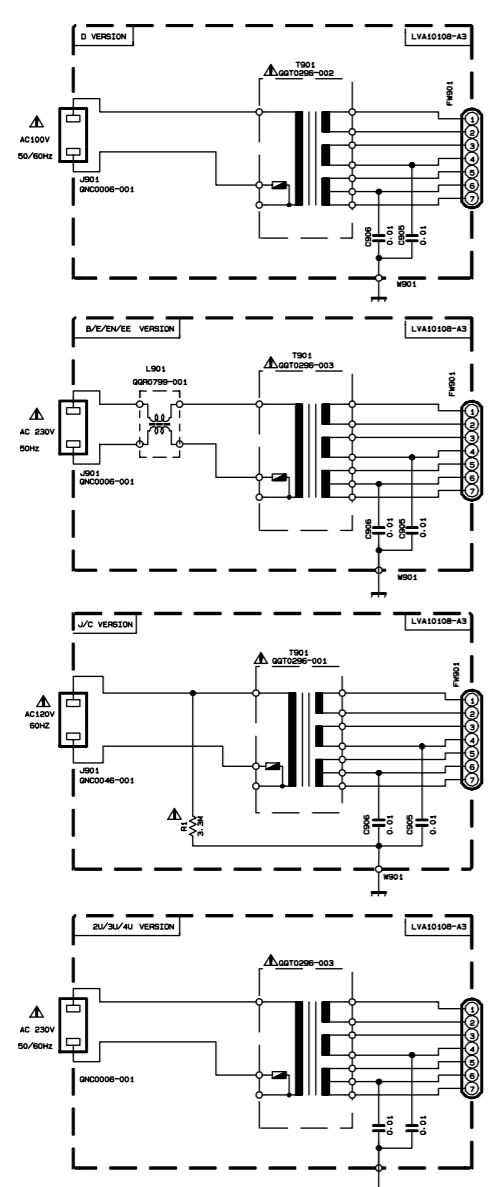
■ Connection circuit section



 Digital data signal
 Parts are safety assurance parts.
 When replacing those parts make sure to use the specified one.

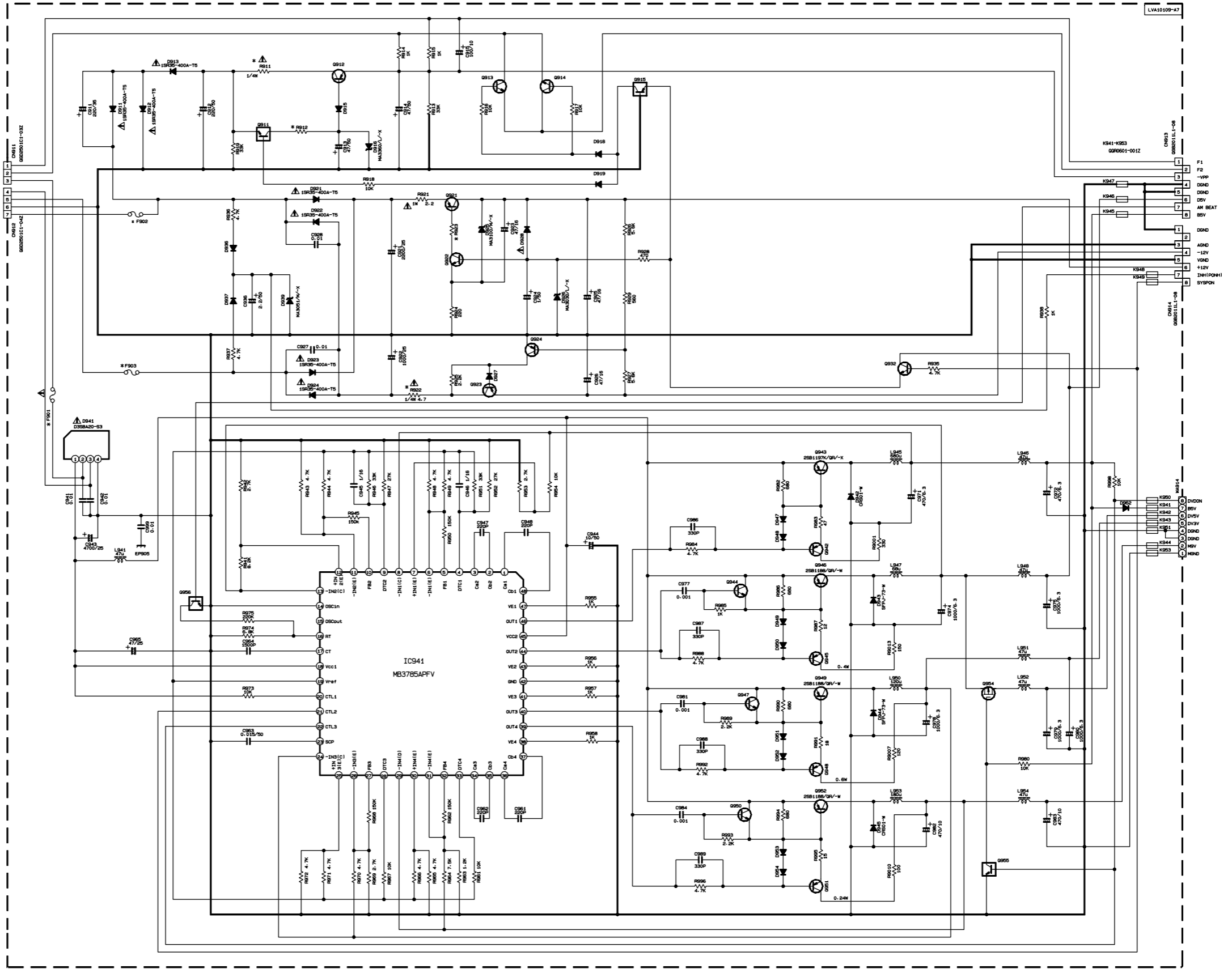
Power supply section

7
6
5
4
3
2
1



TRANSISTOR & DIODE LIST

Q911	KRC102M-T
Q955- Q956	DTC124EKA-X
Q915	DTA114EKA-X
Q912	2SB647/CD/-T
Q913- Q914	2SD2144S/VN/-T
Q921- Q923	2SB1566/EF/
Q924- Q942	2SA1037AK/RS/-X
Q945- Q948- Q951	2SC2412K/RS/-X
Q943	2SB1197K/QR/-X
Q946- Q949- Q952	2SB1188/QR/-W
D915- D918- D919- D927	
D936- D937- D947	1SS355-X
D948- D949- D950- D951- D952	
D953- D954- D962	
Q954	SI2305DS-X
D928	1SS388-X



VERSION	R922	F902- F903	F901	R923	R911	R912
D- C- J	UNF RESISTOR	BUS WIRE	2A/125V	680	4.7 UNF RESISTOR	1K
B- E- EN- EE- 2U- 3U- 4U	FUSIBLE RESISTOR	T500mA	T2A	330	68 FUSIBLE RESISTOR	2-2K

A B C D E F G H I J

Voltage value section

7
6
5
4
3
2
1

IC101 table with 5 columns (NO, DC(V), NO, DC(V), NO, DC(V)) and 50 rows of voltage data.

IC102 table with 2 columns (NO, DC(V)) and 5 rows of voltage data.

IC201 table with 5 columns (NO, DC(V), NO, DC(V), NO, DC(V)) and 50 rows of voltage data.

IC251 table with 2 columns (NO, DC(V)) and 28 rows of voltage data.

IC271 table with 2 columns (NO, DC(V)) and 28 rows of voltage data.

IC301 table with 5 columns (NO, DC(V), NO, DC(V), NO, DC(V)) and 50 rows of voltage data.

IC311 table with 2 columns (NO, DC(V)) and 5 rows of voltage data.

IC371 table with 2 columns (NO, DC(V)) and 5 rows of voltage data.

IC401 table with 5 columns (NO, DC(V), NO, DC(V), NO, DC(V)) and 50 rows of voltage data.

IC402 table with 2 columns (NO, DC(V)) and 24 rows of voltage data.

IC403 table with 2 columns (NO, DC(V)) and 8 rows of voltage data.

IC452 table with 2 columns (NO, DC(V)) and 8 rows of voltage data.

IC501 table with 5 columns (NO, DC(V), NO, DC(V), NO, DC(V)) and 52 rows of voltage data.

IC502 table with 2 columns (NO, DC(V)) and 4 rows of voltage data.

IC504 table with 2 columns (NO, DC(V)) and 50 rows of voltage data.

IC505 table with 2 columns (NO, DC(V)) and 50 rows of voltage data.

IC551 table with 5 columns (NO, DC(V), NO, DC(V), NO, DC(V)) and 28 rows of voltage data.

IC552 table with 5 columns (NO, DC(V), NO, DC(V), NO, DC(V)) and 28 rows of voltage data.

IC553 table with 2 columns (NO, DC(V)) and 14 rows of voltage data.

IC554 table with 5 columns (NO, DC(V), NO, DC(V), NO, DC(V)) and 28 rows of voltage data.

IC555 table with 5 columns (NO, DC(V), NO, DC(V), NO, DC(V)) and 28 rows of voltage data.

A

B

C

D

E

F

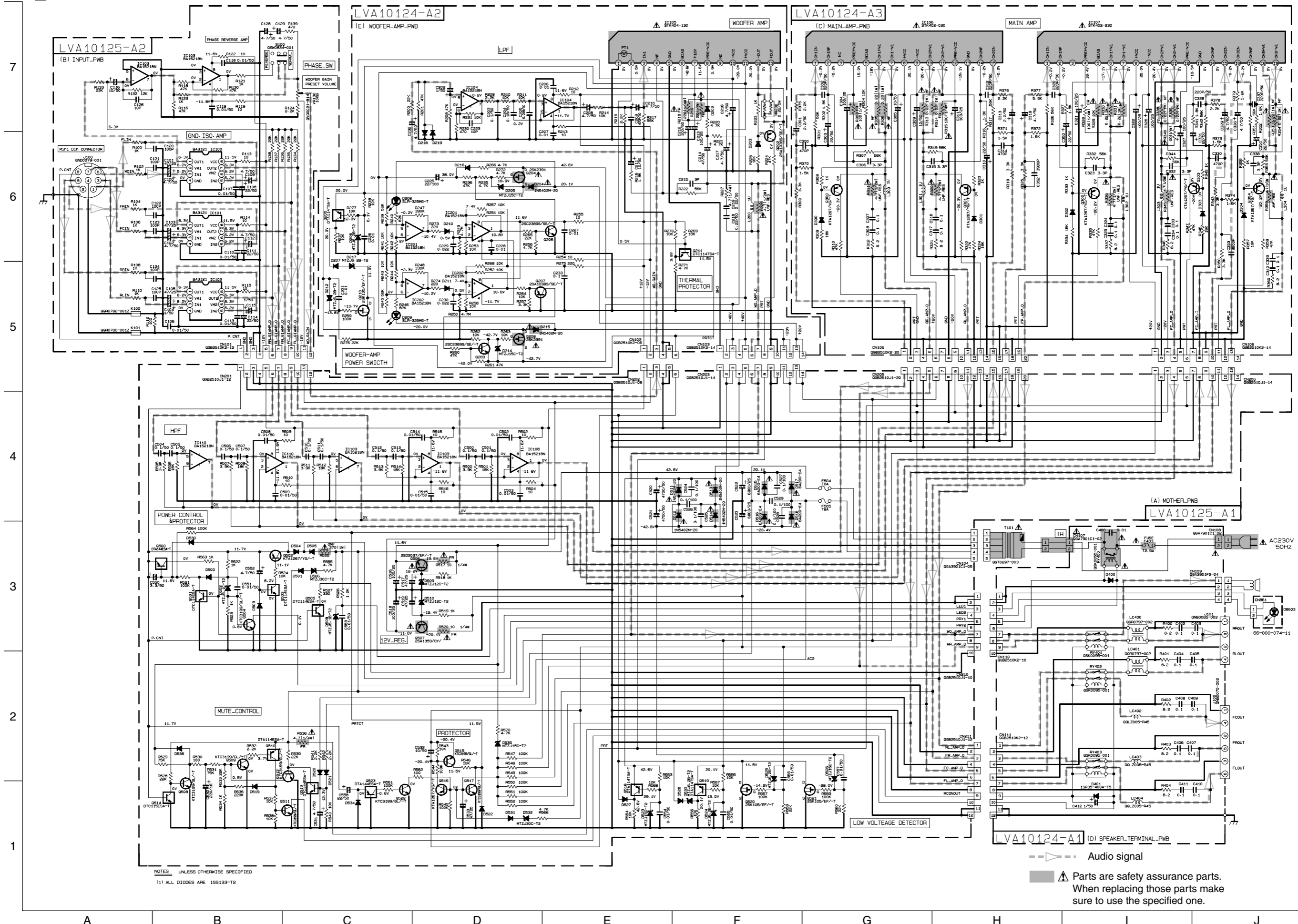
G

H

I

J

Powered subwoofer section



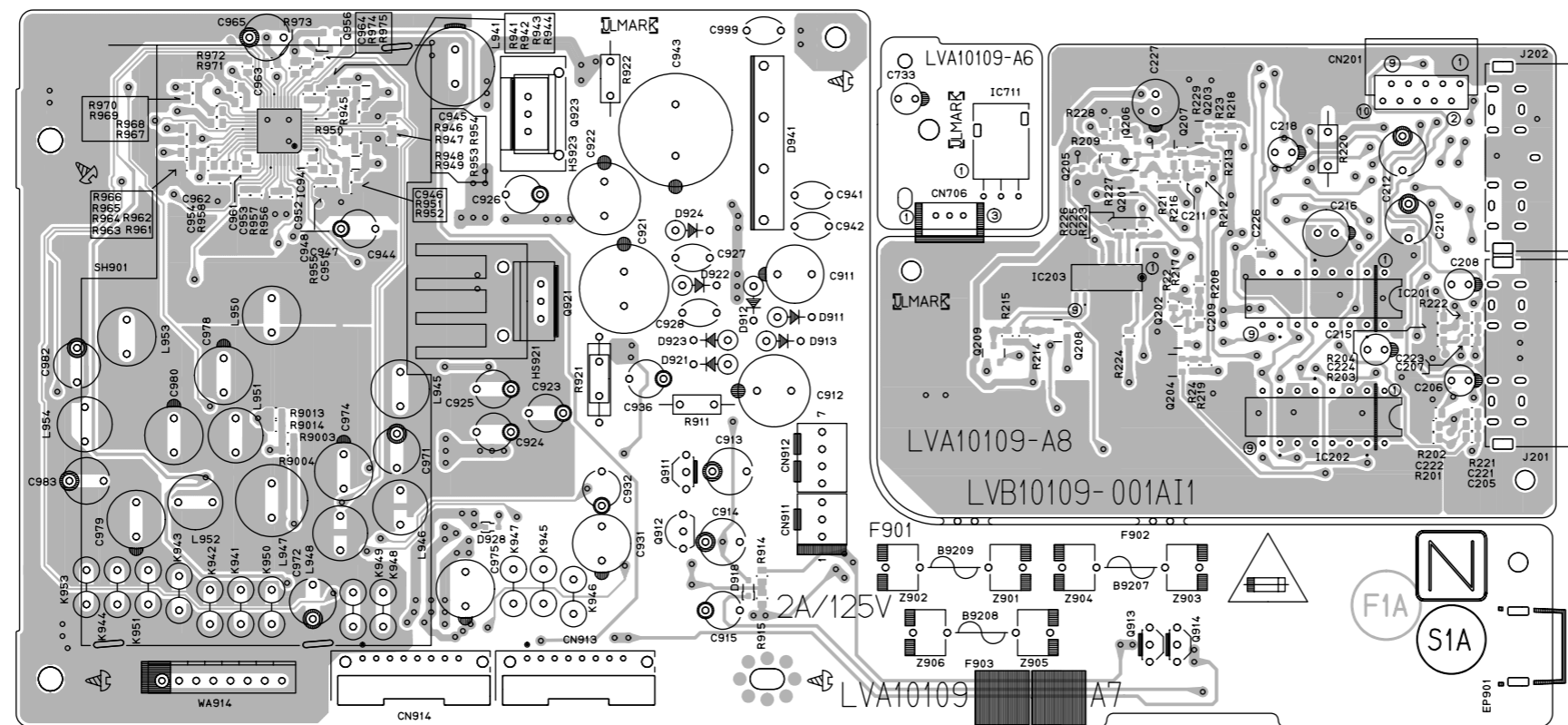
NOTES: UNLESS OTHERWISE SPECIFIED
 (1) ALL DIODES ARE 1S8133-T2

---▶--- Audio signal
 ▲ Parts are safety assurance parts. When replacing those parts make sure to use the specified one.

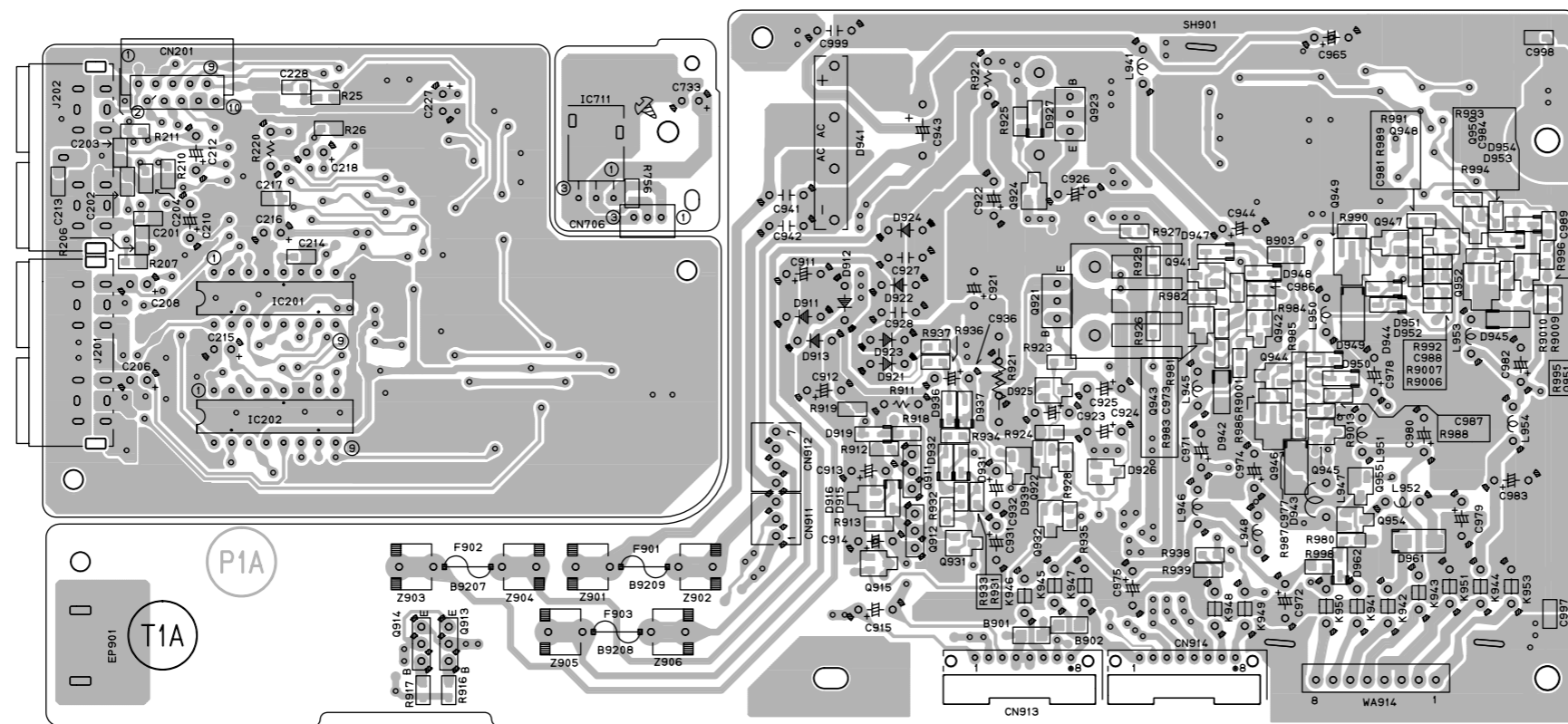
Printed circuit boards

■ Power supply board

(Surface side view)



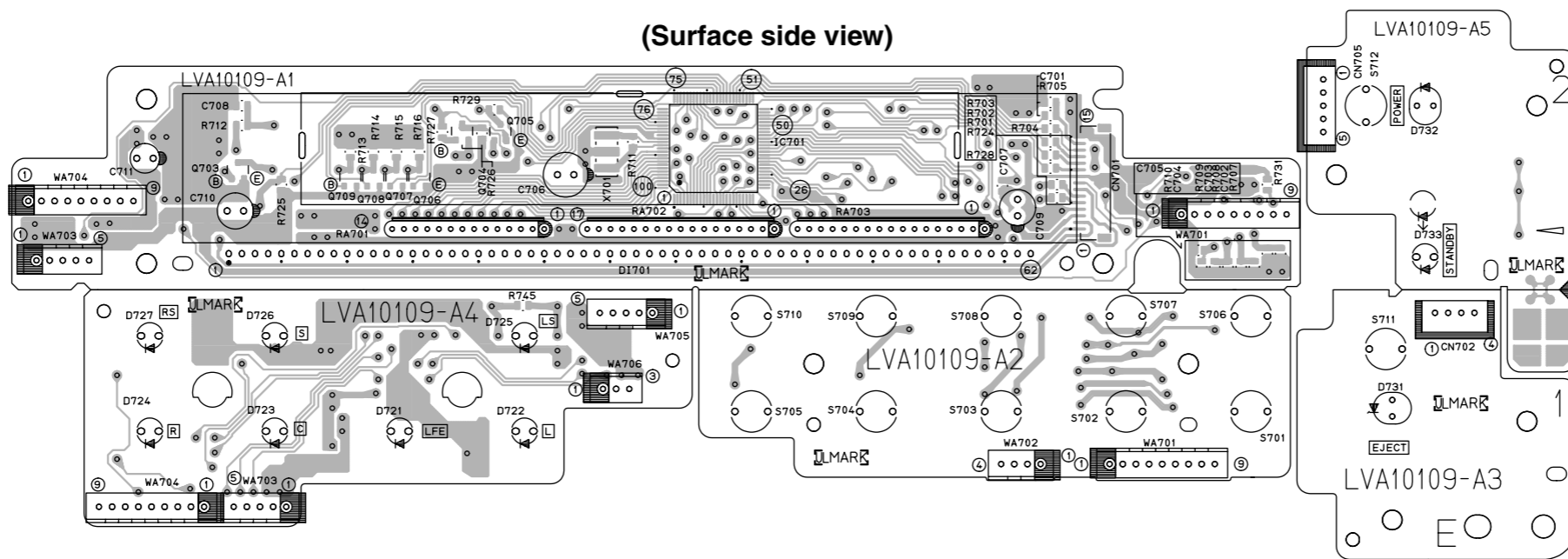
(Bottom side view)



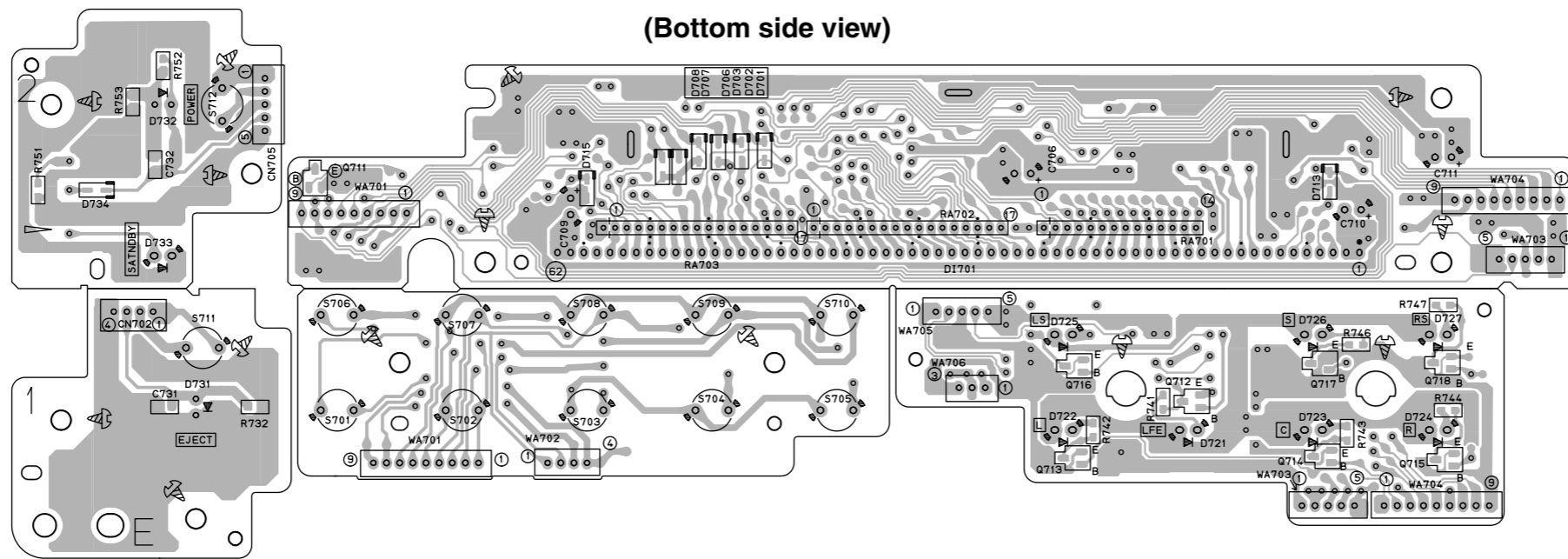
A B C D E F G H I J

■ Front panel board

(Surface side view)



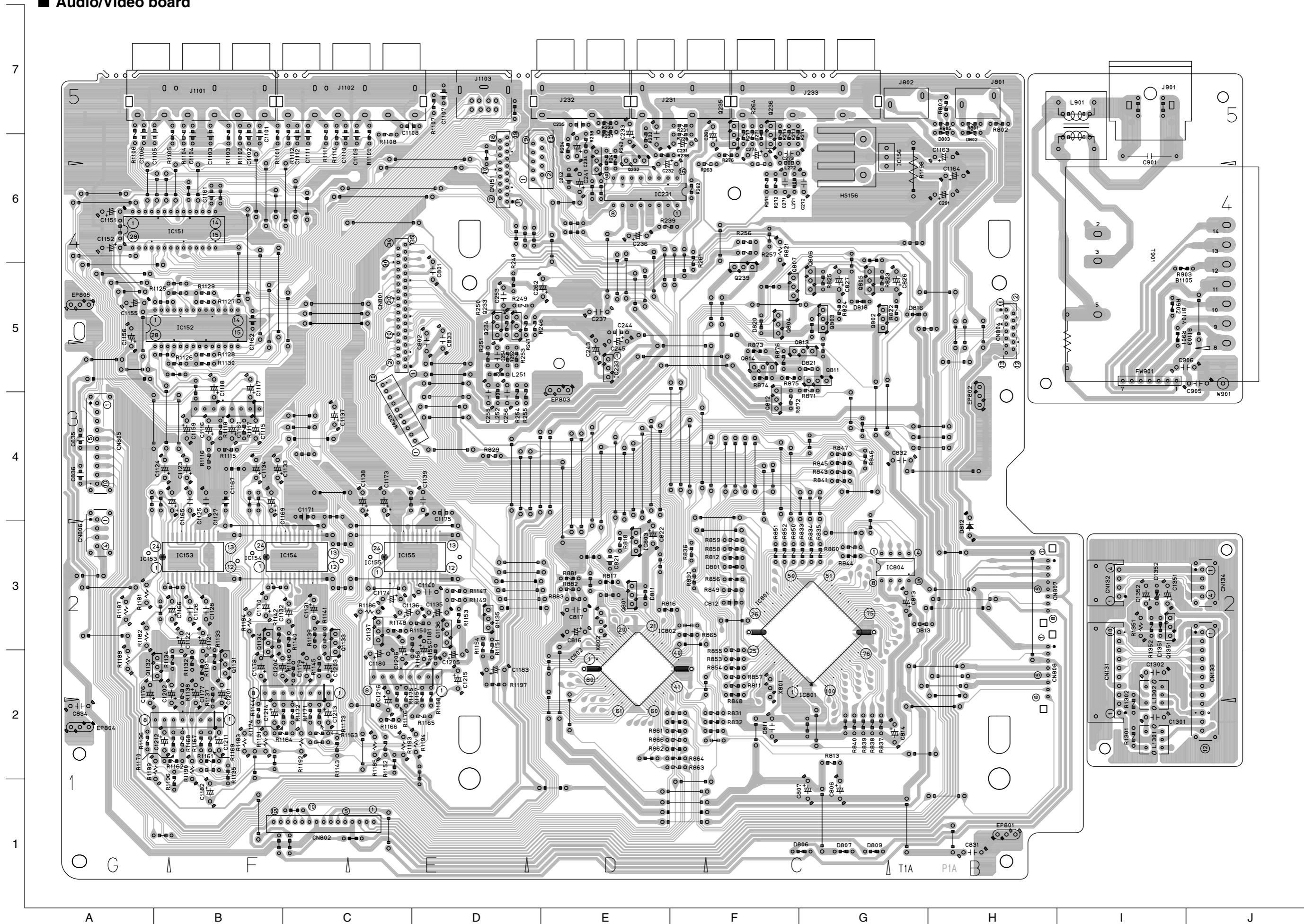
(Bottom side view)



7
6
5
4
3
2
1

A B C D E F G H I J

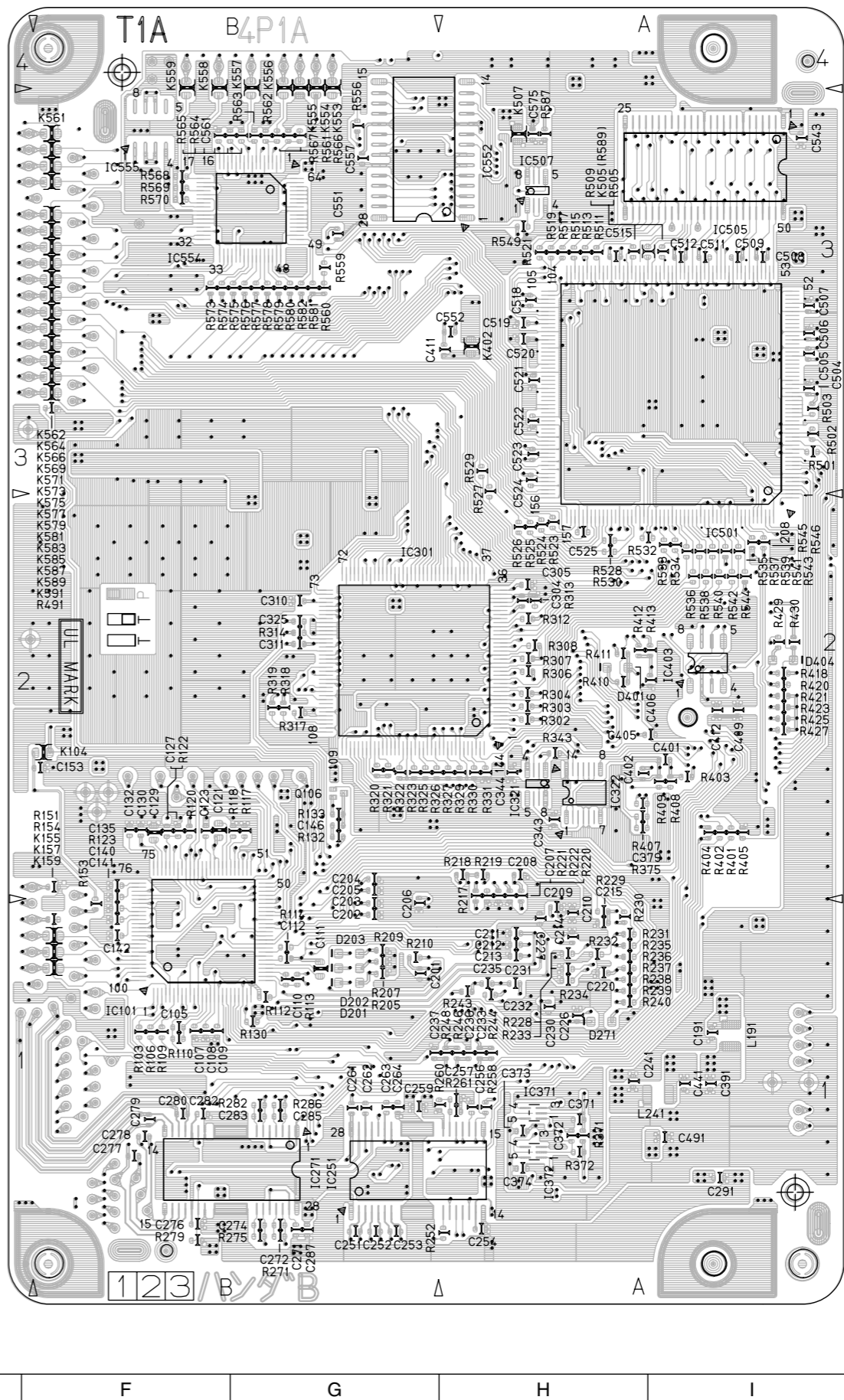
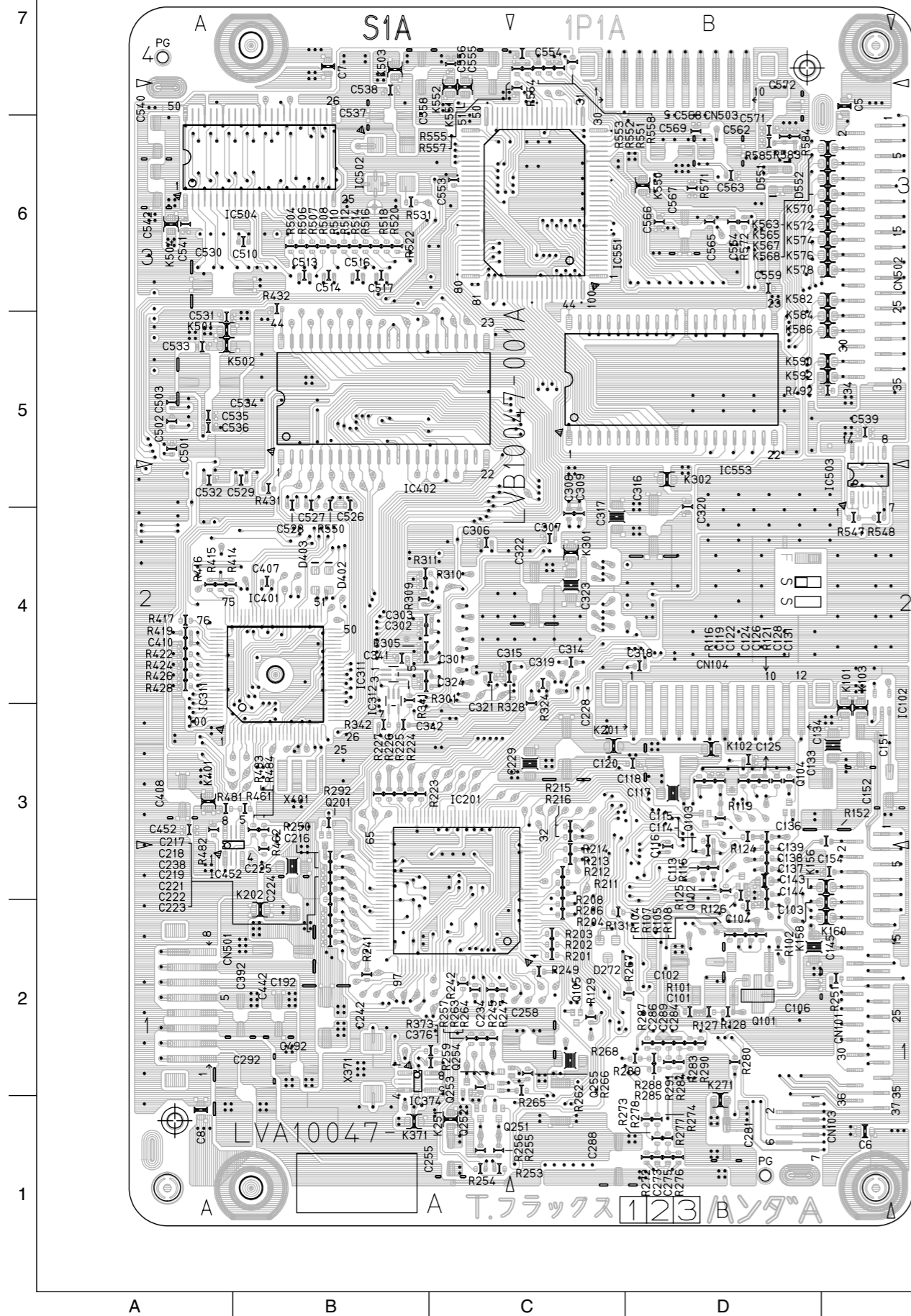
■ Audio/Video board



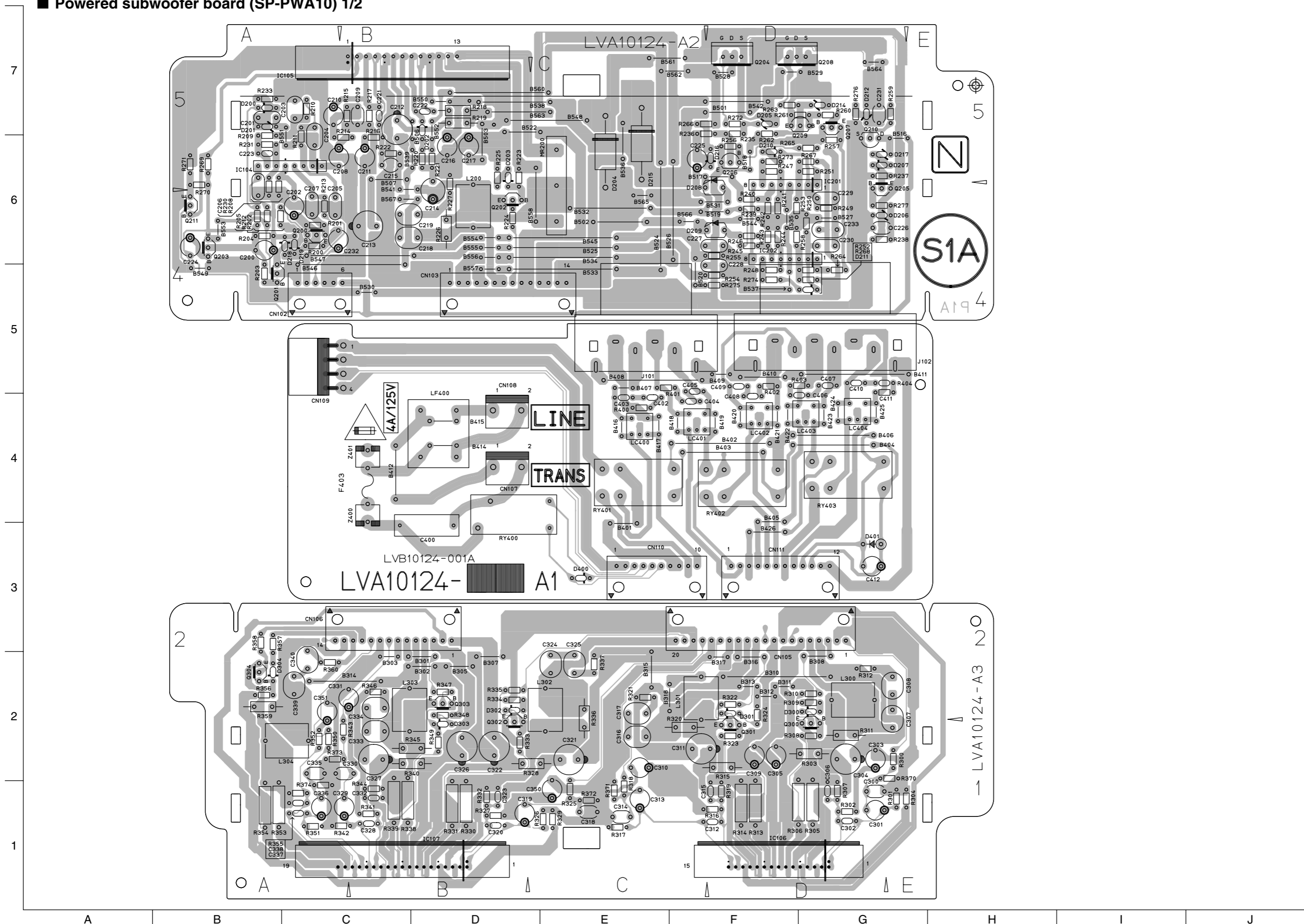
■ Main board

(Surface side view)

(Bottom side view)



■ Powered subwoofer board (SP-PWA10) 1/2



■ Powered subwoofer board (SP-PWA10) 2/2

